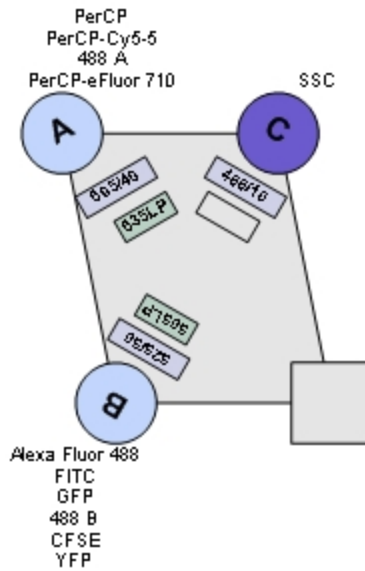


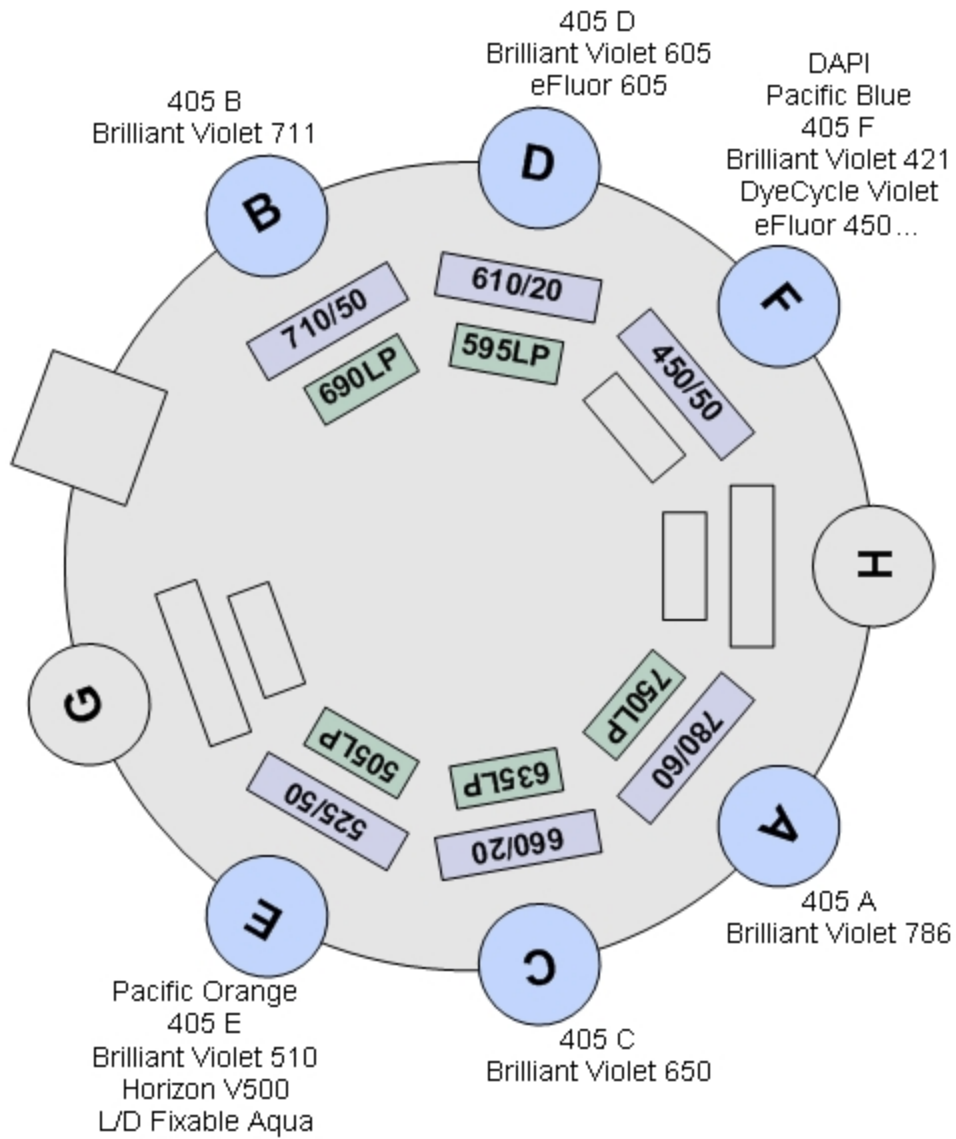
P0287 Customer Standard Configuration

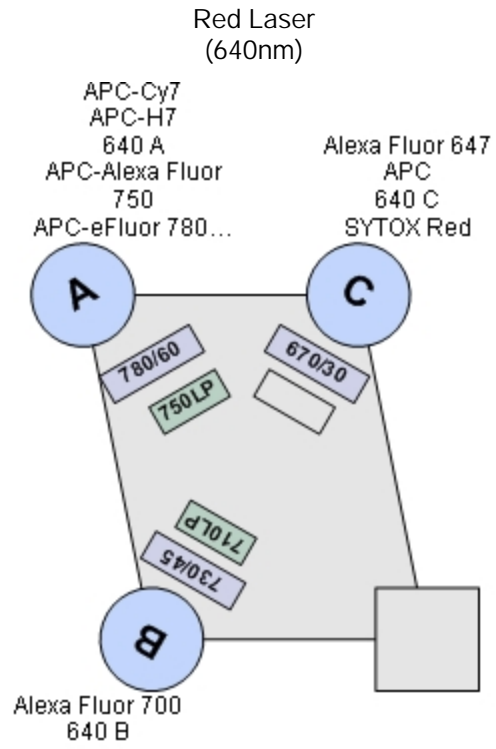
Cytometer:	FACSriaII	User:	corestaff
Cytometer Name:	FACSriaII	Institution:	N/A
Serial Number:	P0287	Software:	BD FACSDiva 8.0.1
Input Device:	Manual	Date:	10/3/2019 11:42:31 AM
Sheath Pressure:	70.00		
Nozzle Size:	70		
Window Extension:	2.00		

Blue Laser
(488nm)
FSC



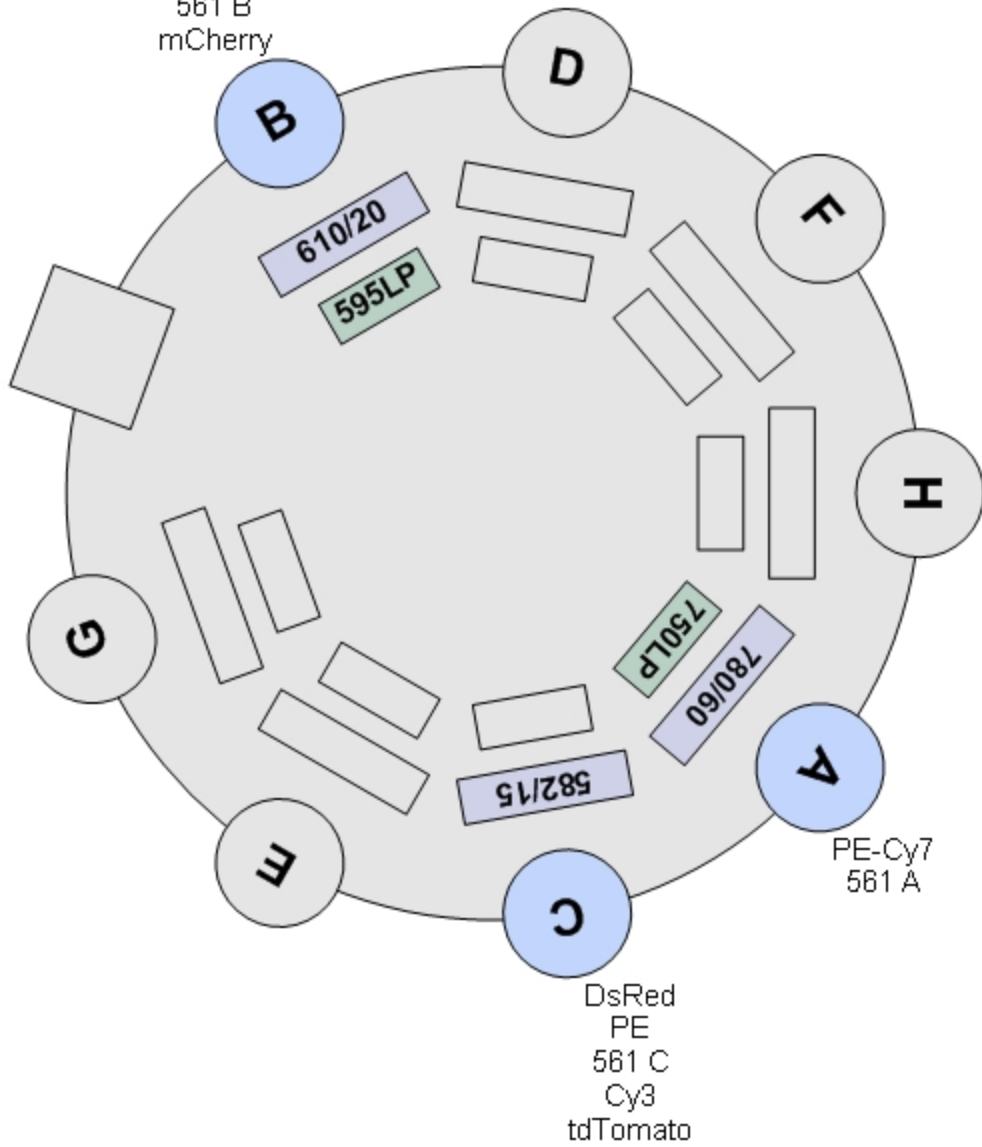
Violet Laser
(405nm)





Yellow Green Laser
(561nm)

7-AAD
PE-CF594
PE-Texas Red
PI
561 B
mCherry



Comments: