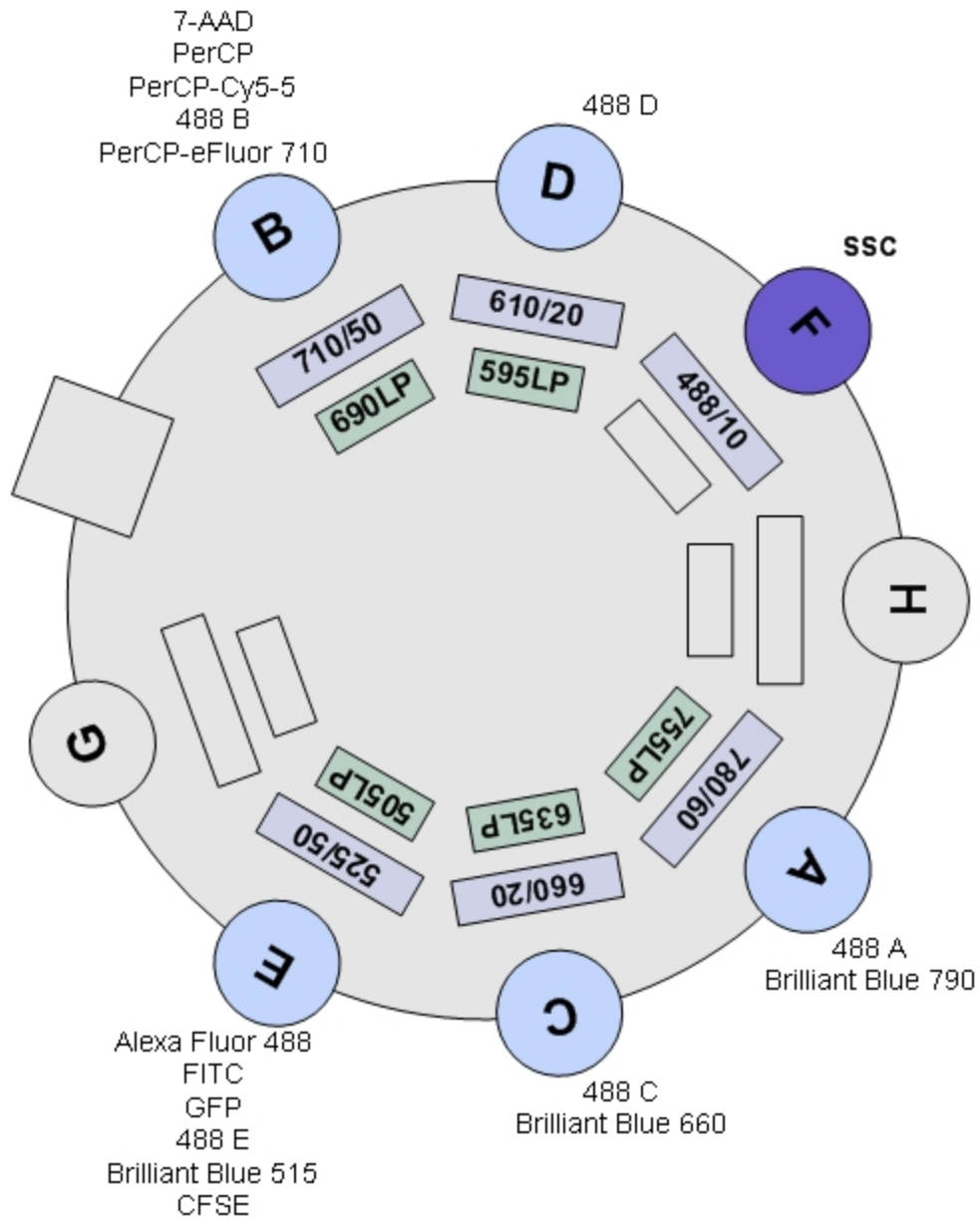
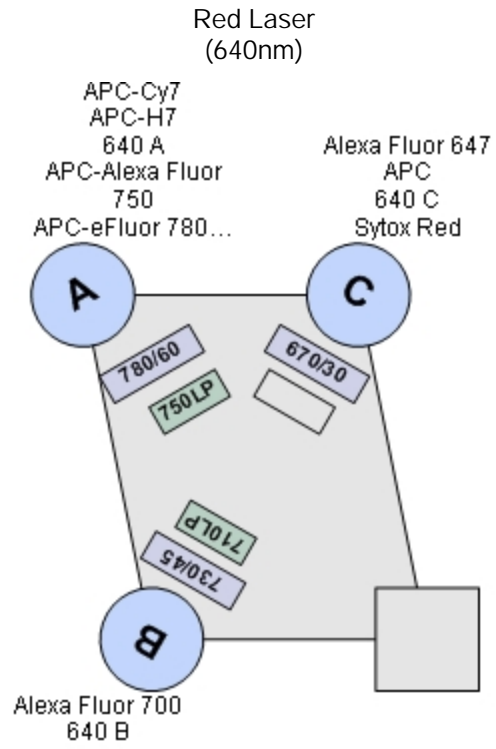


LSRFortessa H0081 Standard Configuration

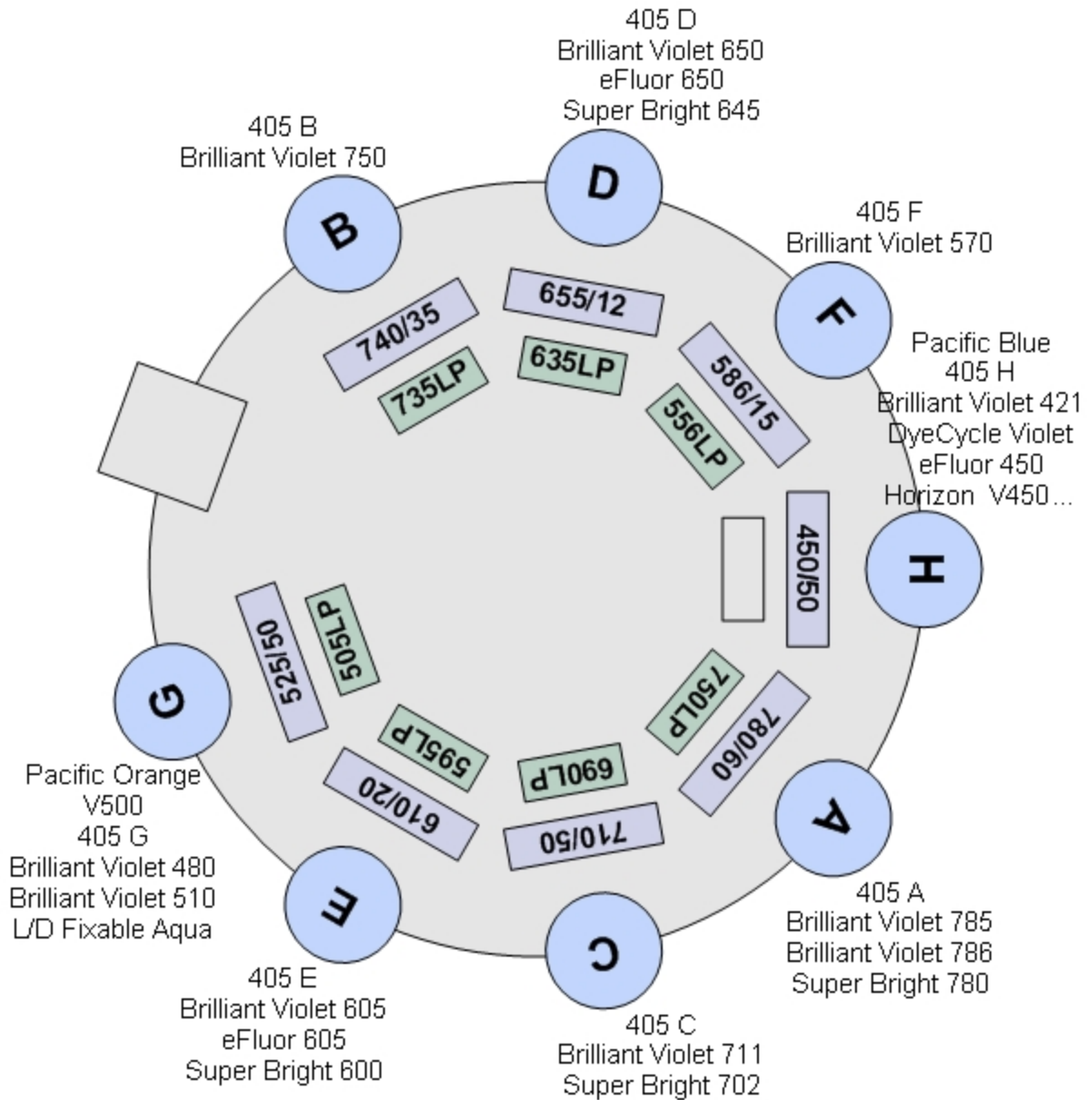
Cytometer:	LSRFortessa	User:	corestaff
Cytometer Name:	LSRFortessa H0081	Institution:	N/A
Serial Number:	H64717700081	Software:	BD FACSDiva 8.0.1
Input Device:	Manual	Date:	1/14/2020 10:29:36 AM
Window Extension:	10.00		

Blue Laser
(488nm)
FSC

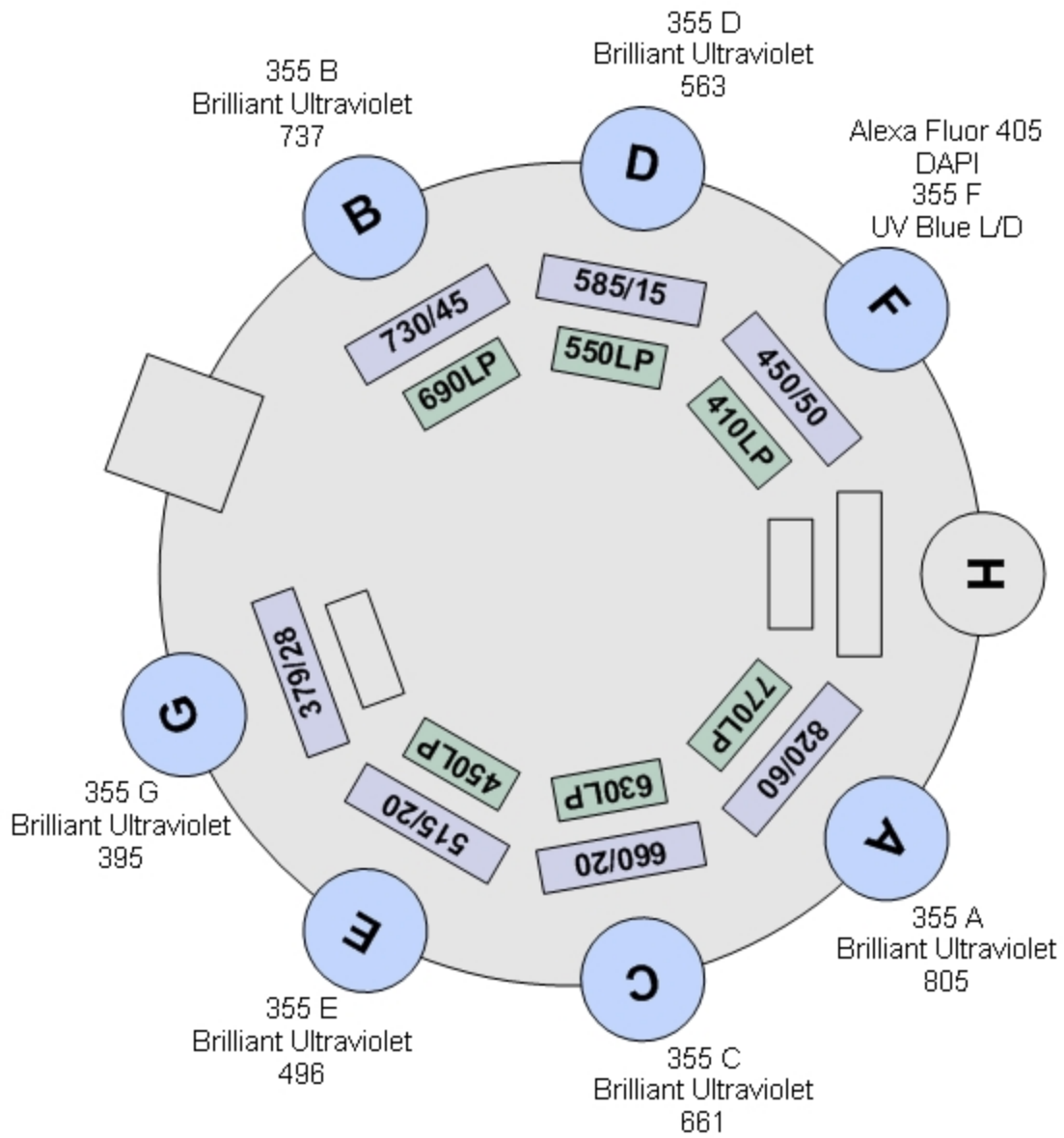




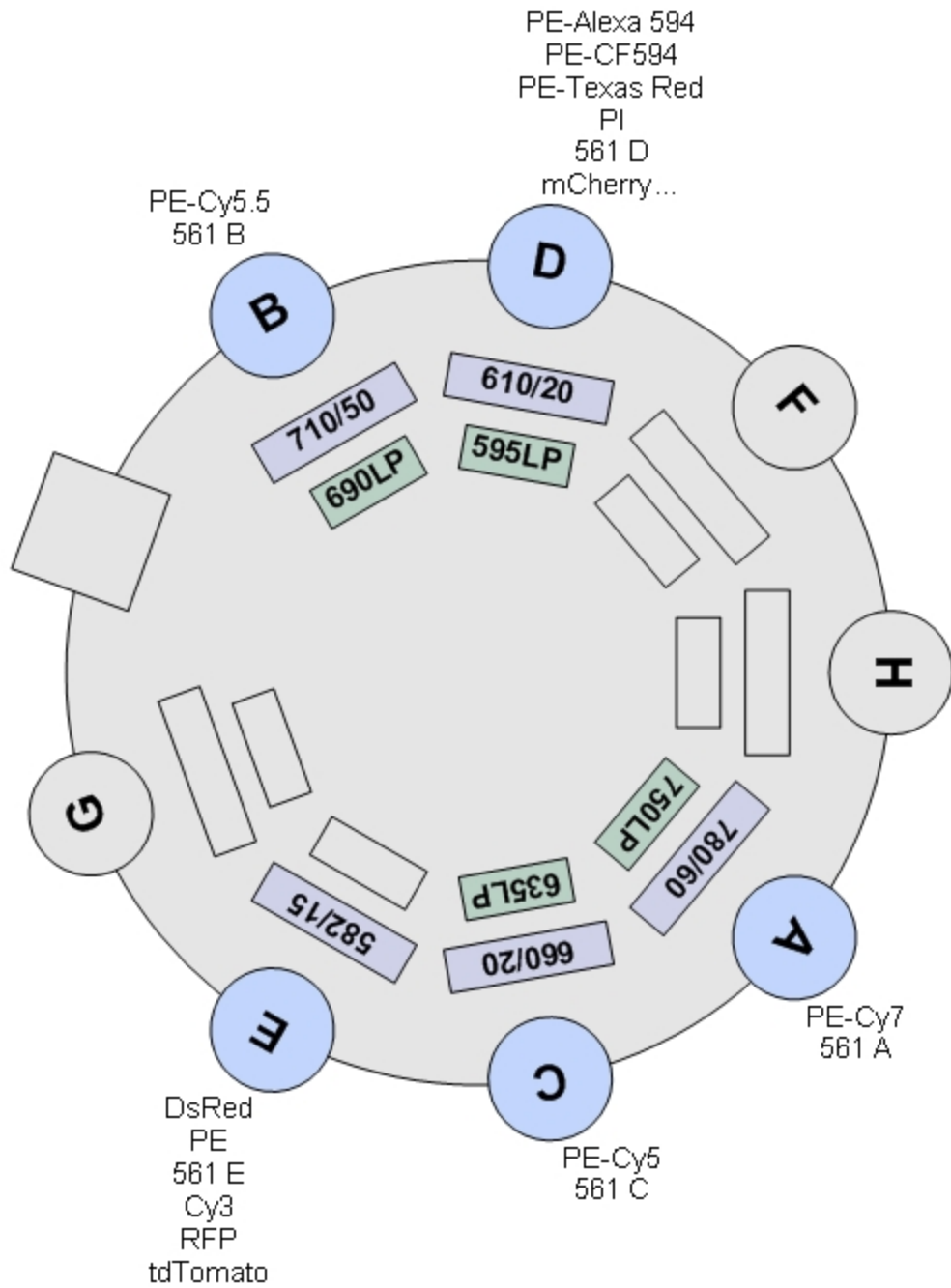
Violet Laser
(405nm)



UV Laser
(355nm)



YelGreen Laser
(561nm)



Comments: